

End fed dipole 145 - 165 MHz

DESCRIPTION

- A rugged and durable VHF End Fed Dipole antenna housed inside a high-strength, glassfibre shroud.
- An integrated mounting clamp allows easy installation on poles or horizontal rails.
- Produced to the highest quality standards, these robust antenna designs will ensure reliable operation in harsh environmental conditions.
- Former Jaybeam brand product.



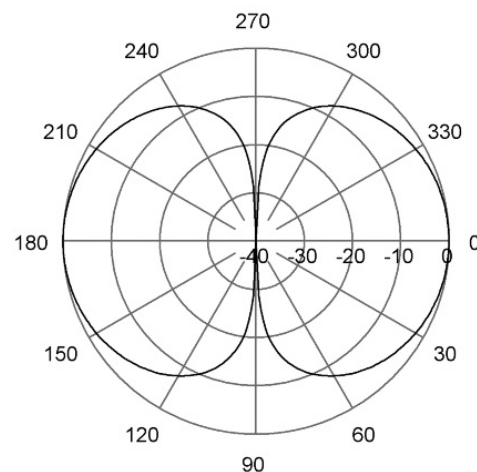
SPECIFICATIONS

Electrical	
Model	7500001
Frequency	145 - 165 MHz
Max. Input Power	150 W
Polarisation	Vertical
3 dB Beamwidth, E-Plane	80 °
3 dB Beamwidth, H-Plane	Omnidirectional
Impedance	50 Ω
Gain	0 dBd (2.2 dBi)
VSWR	< 1.5:1
Antistatic Protection	All metal parts DC-grounded (Connector shows a DC-short)
Mechanical	
Connection(s)	N(f) on 500mm RG213/U cable
Materials	Base : Aluminium Shroud : GRP tube
Length	Approx. 1460 mm / 57.48 in.
Wind Load	35 N (160 km/h)
Weight	Approx. 1 kg / 2.20 lb.
Mounting	Integral mounting clamp to fit 38 - 50 mm dia. pipe or horizontal rail

ORDERING

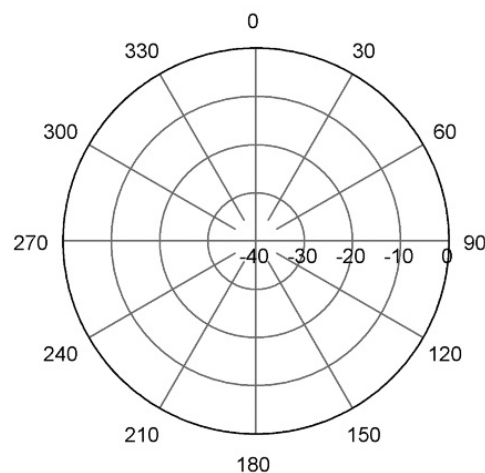
Model	Product No.	Frequency
End fed dipole	7500001	145 - 165 MHz

RADIATION PATTERNS



E-Plane | 155 MHz

RADIATION PATTERNS



H-Plane | 155 MHz

